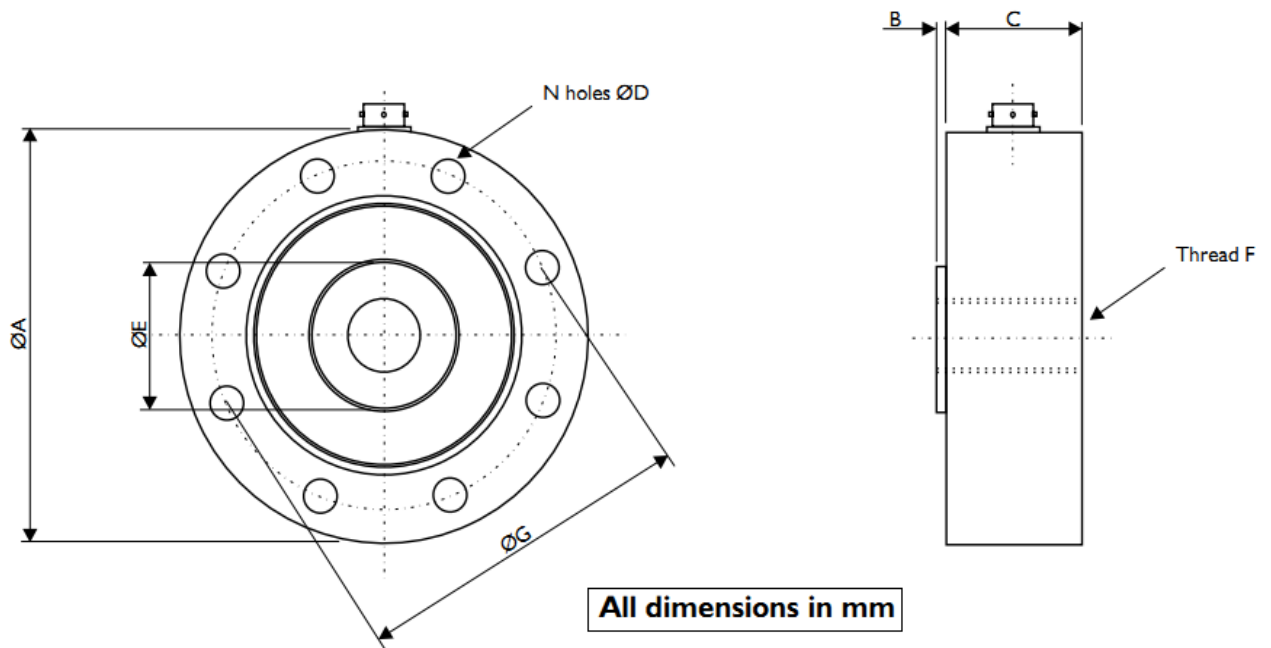


DSCC Load Cells

- load capacities 5kN to 1000kN
- stainless steel construction / low profile shear design
- fatigue rated to 10^9 fully reversed full range cycles
- other ranges available on request / higher accuracy versions available
- various options available, including different centre thread sizes, double bridge versions etc.

The DSCC series low profile pancake type load cells are suitable for both weighing and force measurement applications. The load cell's design provides excellent resistance to extraneous forces, such as bending, side and torsional forces. The load cell is used widely in material and fatigue testing applications, where a low physical height is required and forces are applied axially. High frequency response is also a benefit with this load cell for dynamic force measurement applications, which is also complimented with excellent fatigue resistance. The sensors can be supplied complete with monitoring / control electronics and fully in-system calibrated.





Range (kN)	ØA	B	C	ØD	ØE	Thread F	ØG	N
5, 10, 25, 50	107	2	33	8.5	33	M20 x 2.5	90	8 holes
100, 200	155	3	45	11	60	M36 x 2	130	12 holes
500, 1000	280	6	78	17	118	M64 x 6	230	16 holes

CHARACTERISTICS	DSCC	UNITS
Rated Capacities (Dynamic):	±5, ±10, ±25, ±50, ±100, ±200, ±500, ±1000	kN
Rated Output: Fatigue Rated	2.0 ±0.25%	mV/V
Static Rated	3.0 ±0.25%	mV/V
Non-Linearity:	<0.05	±% of Rated Output
Repeatability:	<0.05	±% of Rated Output
Hysteresis:	<0.05	% of Rated Output
Symmetry (tension/compression):	<0.25	±% of Rated Output
Zero Balance:	<1.0	±% of Rated Output
Temperature Range: Operating	-20 to +80	°C
Compensated	0 to +70	°C
Temperature Effect: On Output	<0.005	±% of Applied Load/ °C
On Zero	<0.005	±% of Rated Capacity/ °C
Safe Overload:	150	% of Static Load Rating
Ultimate Overload:	200	% of Static Load Rating
Safe Sideload	50	% of Static Load Rating
Fatigue Life:	10 ⁷	Fully Reversed Cycles
Excitation Voltage:	10 recommended (15 max.)	Volts AC or DC
Input Impedance:	700	Ohms
Output Impedance:	700	Ohms
Insulation Impedance:	>500	Megaohms @ 100 VDC
Deflection at Rated Capacity:	<0.05	mm at Rated Load
Construction:	Stainless Steel	
Environmental Protection:	IP65	
Connections:	6 Pin Amphenol Connector	